

PREPARATION

1. Carefully unpack the unit and other parts. Remove all packing material from around the turntable.
2. Locate the unit horizontally on a heavy dust stand or firm level surface, and away from the speaker system to avoid sound feedback.
3. Attach the dust cover to the unit. (Fig. 1)
4. Place the rubber mat to its position. (Fig. 2)
5. Place the 45 rpm adapter to its position. (Fig. 2)
6. Connect the output plugs to the AUX/TAPE input jacks of the stereo system. The red plug is for the right channel and the white plug is for the left channel.

7. Connect the AC power cord to a 230V AC, 50Hz outlet. If you have difficulty in inserting the plug, turn it over and reinsert. If the unit will not be used for a long time, disconnect the AC plug from the AC outlet.

CONTROLS (Fig. 3)

1. 45 rpm adapter
2. Turntable spindle
3. Speed select button (SPEED)
4. Turntable platter
5. Reject button (REJECT)
6. Headshell with cartridge
7. Tonearm rest and lock
8. Cueing lever

OPERATION

Before you use the turntable, disengage the tonearm lock and carefully remove the stylus cover.

1. **Press [AUX/TAPE FUNCTION] on the stereo system.**
2. Place a record on the turntable platter. If necessary, use the supplied 45 rpm adapter.
3. Set [SPEED] for the applicable record speed.
Depress the button for 45 rpm records.
Release it for 33-1/3 rpm LP records.
4. Set the cueing lever to the up position (▲) to lift the tonearm from its rest.
5. Gently place the stylus over the required position on the record. The turntable platter will begin rotating.
6. Set the cueing lever to the down position (▼) to release. The tonearm will gently go down onto the record.
7. Adjust the controls on the stereo system for the most pleasant listening level and tonal balance.
8. At the end of the record, the tonearm will return to its rest and the turntable platter will stop rotating.
You may stop the turntable at any time by pressing [REJECT], which will return the tonearm to its rest.
Do not touch the tonearm or headshell while it is returning to its rest.

NOTES:

- The first time you use the turntable, the tonearm may not return to its rest. If this happens, press [REJECT].
- After use, engage the tonearm lock to avoid accidental stylus damage.

REPLACING THE STYLUS (Fig. 4)

The stylus should have a long life if treated carefully. Always clean records before use and remove any dust from the stylus tip with a small brush. Reduced sound quality from a good record means that the stylus may need replacing. To remove the old stylus, pull out the stylus assembly in the direction shown, holding the headshell with the other hand. Install the new stylus by pushing it gently into the cartridge (hold it by edges to prevent damage to the stylus) until it clicks into place.

SPECIFICATIONS

| | |
|------------------------|----------------------------|
| Operation | Semi-Automatic |
| Drive System | Belt |
| Motor | DC Servo |
| Tonearm Shape | Straight |
| Platter Diameter | 11.4" |
| Cartridge Type | Moving Magnet |
| Stylus | CRN-2500 |
| Power Requirements | AC 230V, 50Hz |
| Dimensions (W x H x D) | Approx. 14.2" x 3.7" x 13" |
| Weight | Approx. 5.3 lbs |

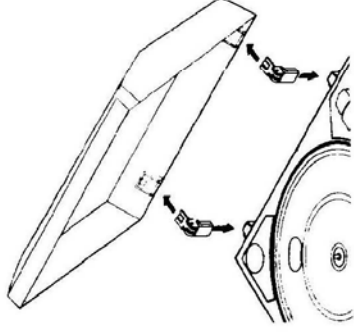


Fig. 1

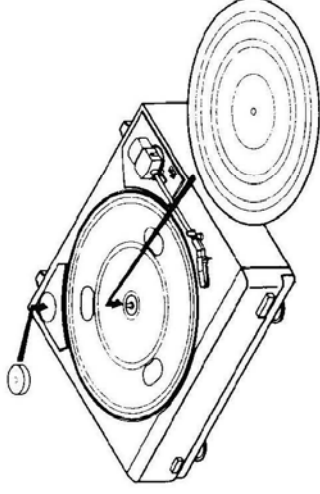


Fig. 2

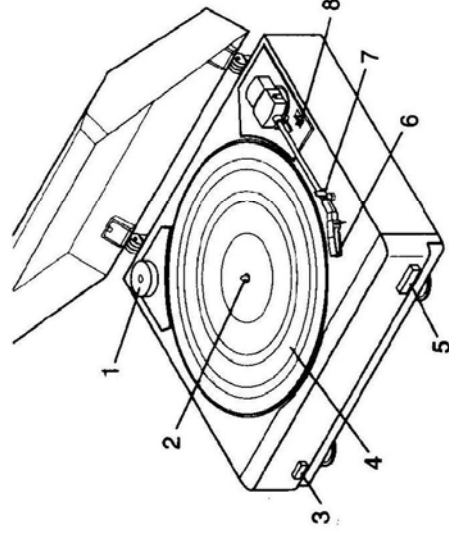


Fig. 3



Stylus = CRN-2500

Fig. 4